

Instructions for Assembling the Lounge

Tools needed for assembly:
Pliers or 1/4" socket set.
Hammer for tapping bolts.

Step 1 Lay out and identify all the parts.

Step 2 Fasten the two front legs and one back leg with two 3" bolts each, with a washer on each end of the bolts, placing the legs inside the seat assembly, with the notch turned out.

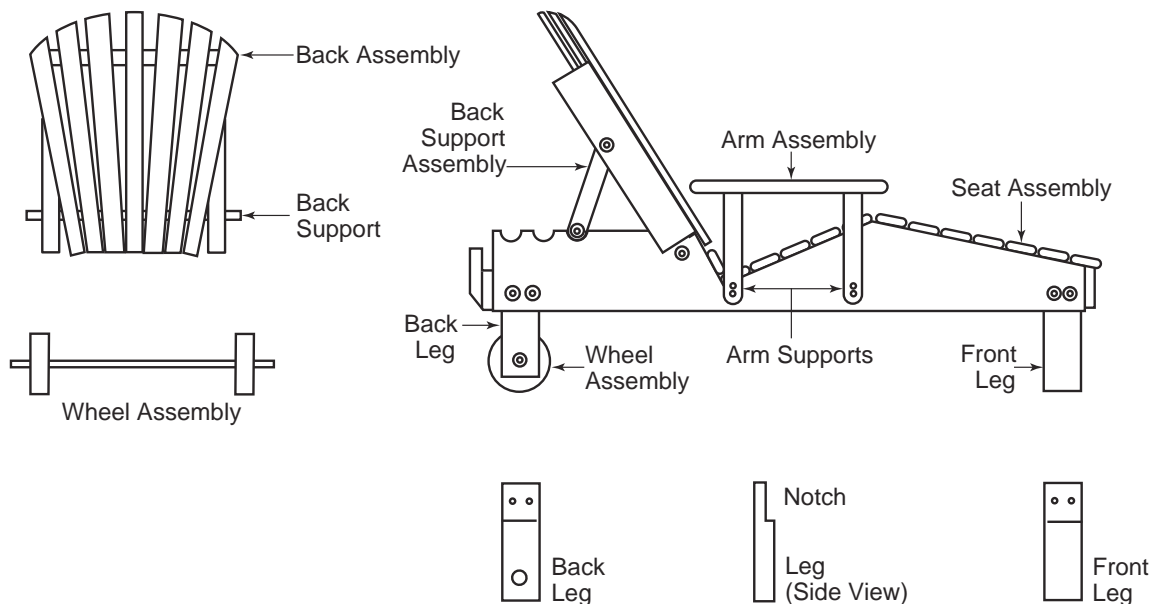
Step 3 Place the wheel assembly between the two back legs with the protruding dowel ends through the holes in the back legs and attach the remaining leg.

Step 4 Fasten the back assembly to the seat assembly with two 3-1/2" hex head bolts, using a washer on both ends of the bolts. Use the two 1/4" nylon insert locknuts. Do not over tighten!
Just tighten until the end of the bolt comes through, even with the outside of the nut.

Step 5 Fasten the arm assembly to the seat assembly with four 3-1/2" carriage bolts (round heads), using no washer under the head of the bolts, but do use one under the nuts. Make sure the straight side of arm supports are turned in, against the seat assembly. The arm assembly can be put on either side of the seat assembly, according to your preference.

Step 6 Go back over your chaise lounge and tighten.

- We recommend one chaise arm for the ease of getting in and out of seat.
- The arm can be placed on either side of lounge.



Note: Due to product variations, the parts list may be different than what you actually receive with your product.

Parts List for Lounge

- 1 – Seat Assembly
- 2 – Back Legs
- 4 – 3-1/2" Carriage Bolts
- 1 – Back Assembly
- 2 – Front Legs
- 24 – Washers
- 1 – Arm Assembly
- 8 – 2-1/2" Hexhead Bolts
- 12 – 1/4" Nuts
- 1 – Wheel Assembly
- 2 – 3-1/2" Hexhead Bolts
- 2 – 1/4" Nylon Insert Locknuts
- 1 – #2 Square Bit

Checking (cracks in the wood) may occur with these products. This is a normal and natural occurrence in wood, and will not affect the structural integrity of the wood and this product.