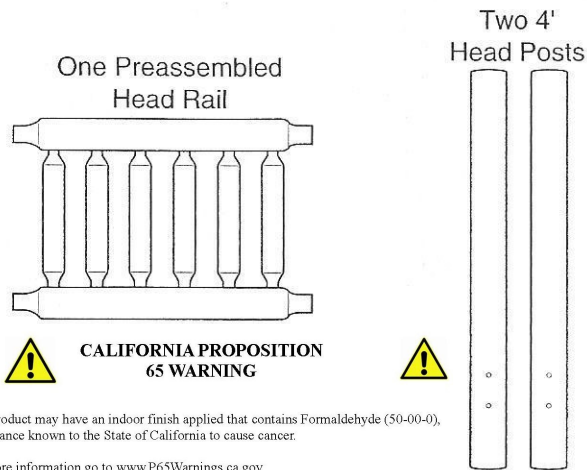




Please check contents before assembly. If any items are missing or damaged, **do not take the unit back to the store.** Call 1-800-427-5136 for customer service and we will save you time by correcting any problems directly for you.

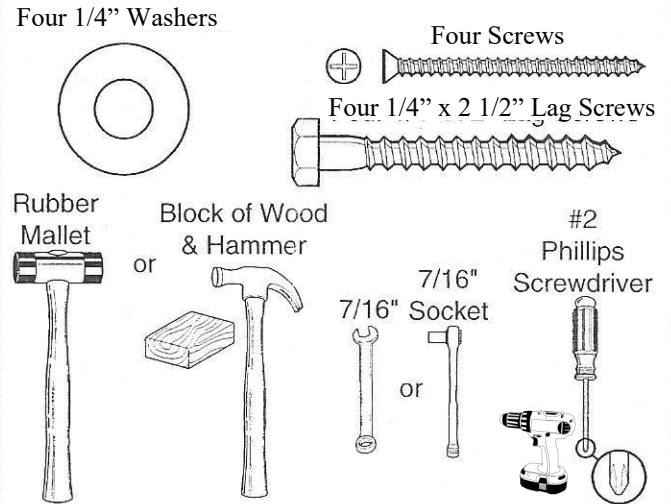
### LOG HEADBOARD

**NOTE:** Cracks or Checks in logs are part of the natural beauty of cedar logs and should not be considered defects.



### HARDWARE & TOOLS REQUIRED

(Not shown actual size)



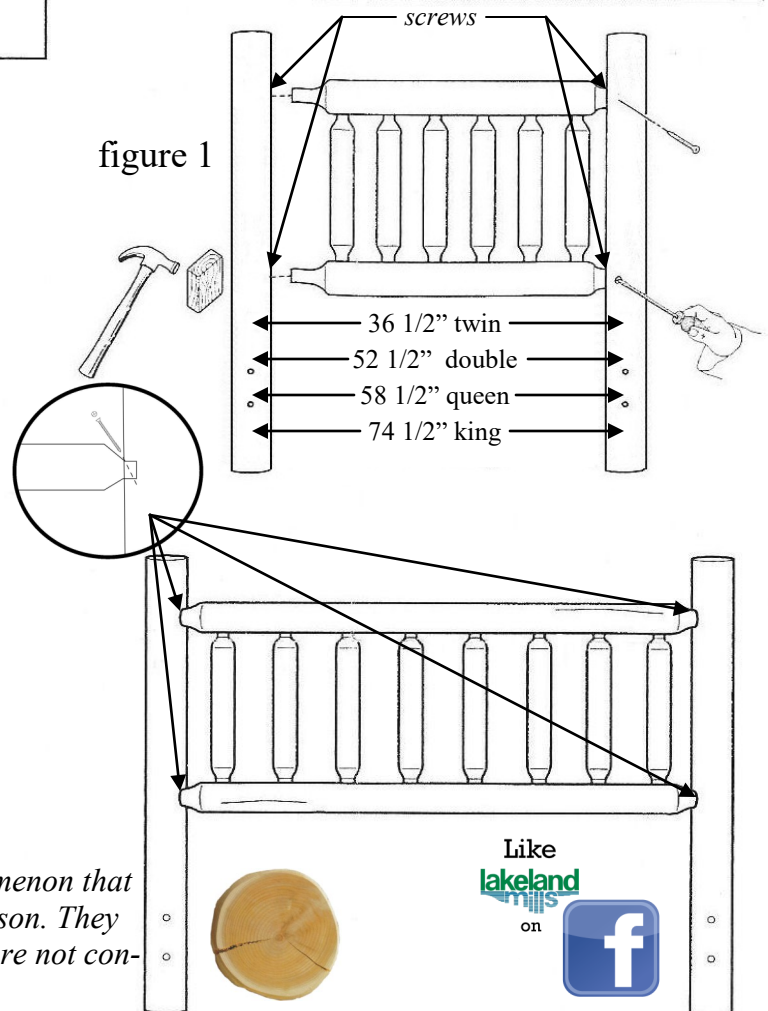
**NOTE:** • **Read all instructions before starting.**

- Use a rubber mallet (or a block of wood between the hammer and the unit) to drive doweled ends into holes, stopping when proper measurement is achieved.

**STEP 1:** Attach the two 4' head posts to the head rail using a rubber mallet (or a block of wood between the hammer and the leg) to drive doweled ends into holes. Adjust the legs in our out so that the distance between the center of the posts measures 36 1/2" for twin, 52 1/2" for double, 58 1/2" for queen and 74 1/2" for king beds.

**STEP 2:** Secure all dowel joints in place with a screw perpendicular to the doweled end as shown in circle figure.

**NOTE:** Cracks or checks in logs are a natural phenomenon that occurs when moisture escapes as the logs dry and season. They do not affect the structural integrity of the wood and are not considered defects.



Like  
lakeland  
mills  
on

