



Assembly Instructions

Table with Attached Benches



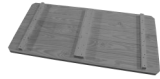
*Thank you for choosing **A&L Furniture Co.***

We hope that this piece brings you many years of enjoyment!

For help with assembling your furniture,
or if you have missing hardware, please email us at
help@aandlfurniture.com or call us at 866-896-5747

PARTS (included)

(A) Table Top (1)



(B) Table Legs (2)



(C) Table Braces (2)



(D) Bench Tops (2)



HARDWARE (included)

2 $\frac{3}{4}$ " Bolts (12)

(a)



2 $\frac{1}{2}$ " Lag Screws (4)

(b)



Allen Wrench (1)

(c)



TOOLS NEEDED

Hammer

$\frac{7}{16}$ " Wrench or Socket

STEP 1

Lay the table top upside down on a clean flat surface. Attach the table legs inside the 2x2 cross supports on the table top. (See photo 1.) Insert the 2 $\frac{3}{4}$ " bolts through the holes in the legs and turn them into the metal inserts in the 2x2. (See photo 2.) Tighten with the Allen wrench. **Do not overtighten!**

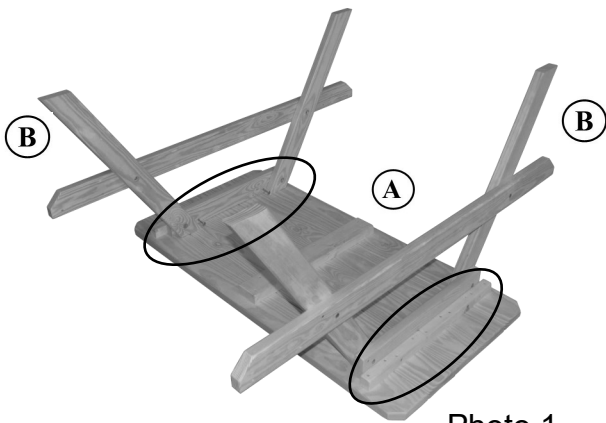


Photo 1

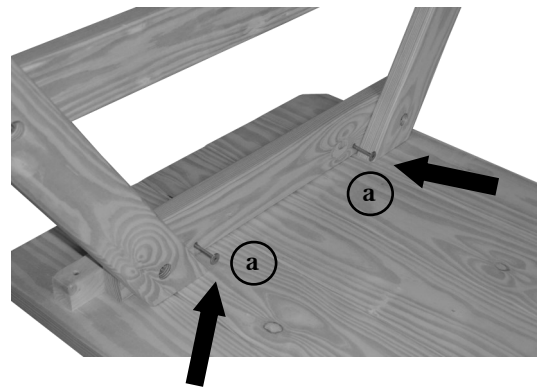


Photo 2

STEP 2

Attach the table braces with one end of the brace on the table top and the other end against the horizontal crosspiece on the table leg. (See photo 3.) Insert 2 $\frac{1}{2}$ " lag screws into the holes in the braces. (See photo 4.) Tap them lightly with a hammer to get them started into the table top. They are self drilling and will not crack the wood. Now tighten using the $\frac{7}{16}$ " wrench or socket. **Do not overtighten** as this may cause them to break!

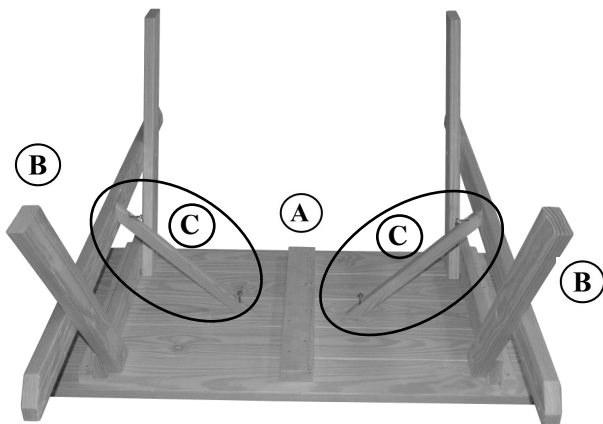


Photo 3

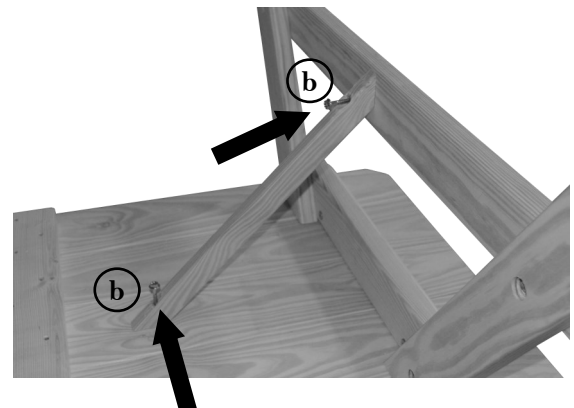


Photo 4

STEP 3

Set the table upright. (See photo 5.) Attach bench tops. (See photo 6.) Insert $2\frac{3}{4}$ " bolts through the table legs and turn them into the metal inserts in the bench 2x2's. (See photo 7.)

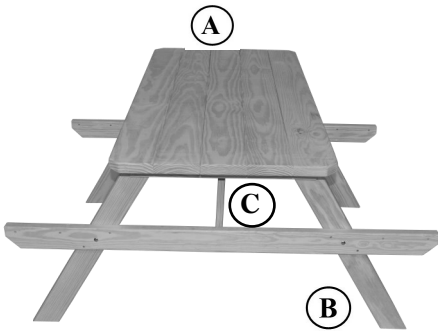


Photo 5

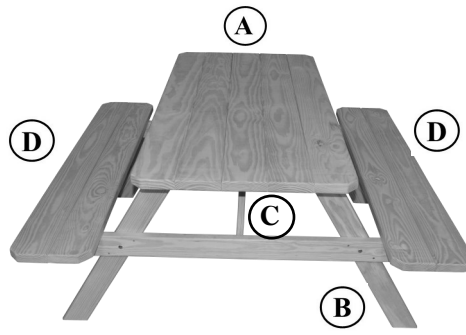


Photo 6

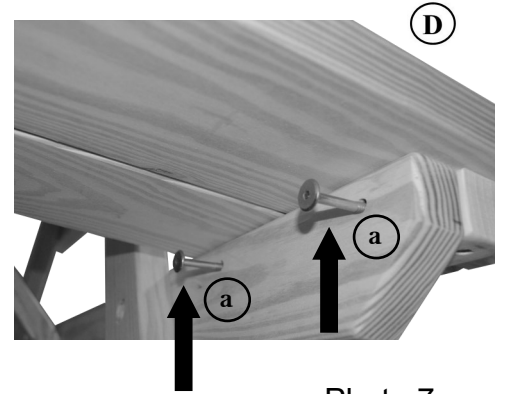


Photo 7