

# 36" and 47" Square Table Assembly Instructions

Tools needed for assembly:

7/16" Wrench

Pliers

Hammer

Place the table top upside down on a clean flat surface.

Take a leg and turn it to the notches in the larger end fits over the skirting, making the outside of the leg even with the outside of the skirting.

Put a washer onto a bolt, push the bolt through one of the holes in the skirting, through the leg.

Put another washer and a nut on the other end of the bolt.

Finger tighten.

Do the other one, then tighten them up with a 7/16" wrench.

Do not over tighten!

Repeat with the other 3 legs.

Set the table upright and use.

The item can be found on  
[www.CedarwoodFurniture.com](http://www.CedarwoodFurniture.com)

Call 877-595-8537 to order



## Part List for Square Tables

1 – Table Top

4 – Legs 8 – 3 1/2" Bolts

8 – Nuts

16 – Washers

Call 877-595-8537 to order

## Tools Required for Assembly

- 7/16" Socket or Adjustable Wrench
- #2 Squarehead Drill Bit (included)
- Hammer for tapping bolts & screws

## Parts List

### Bench Pieces

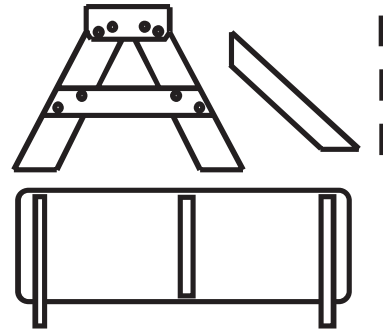
- 1 Bench Top
- 1 Back Assembly
- 2 Leg Assemblies
- 2 Cross Braces

### Hardware

- 4 3" x 1/4" Hex Bolts
- 4 2 1/2" x 1/4" Hex Lag Screws
- 4 1/4" Hex Nuts
- 8 1 1/4" Large Washers
- 4 1/4" Small Washers
- 2 2 1/2" Square Head Screws

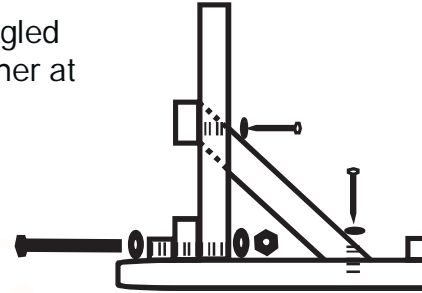
## Step 1

Lay the bench top upside down on a clean flat surface. Place each leg assembly on the inner edge of the 2x2 top surface and fasten with a 3" hex bolt (placing a washer at the end of the bolt).



## Step 2

Use the 2 1/2" lag screws to attach the angled braces, making sure to place a small washer at the top of each screw.



## Step 3

Now turn the bench upright and position the back assembly so that the angled bottom edges fit on the leg assembly's bottom braces (see left).



## Step 4

insert the hex bolts into the pre drilled holes on each side

of the bench supports and through the sides of the back assembly. Be

sure to use a large washer on each end of the bolt and tight en a nut at the end to secure.

To complete assembly, use the square head bit to drive the screws through the back assembly braces and into the leg assembly.

