

# Cedar Garden Chair Assembly Instructions

————— Please read through instructions before assembling product. —————

## Tools Needed for Assembly:

Drill  
Pliers and/or 7/16" wrench  
Hammer for tapping bolts and screws

The item can be found on  
[www.CedarwoodFurniture.com](http://www.CedarwoodFurniture.com)

Call 877-595-8537 to order

## Parts List:

1- Back Assembly	2- 1/4 x 5 1/2" Hex Head Bolts (for back and seat joists)
1- Seat Assembly	4- 1/4 x 3" Hex Head Bolts (for legs)
2- Arm & Leg Assemblies	2- 1/4 x 3" Carriage Bolts (for arms)
2- Stabilizer Boards	10-Large Washers (for arm and leg bolts)
8- 1/4" Hex Nuts	4- Small Washers (for back and seat joists)
8- 2" Screws (for stabilizer boards)	

### **Extra Hardware for Sweetheart Chair only**

1- Sweetheart Board  
4- 1 3/4" Screws (for sweetheart board)

### **Extra Hardware for Highback Chair only**

2- 5" Boards  
8- 1 3/4" Screws (for 5" boards)

Step 1. Lay out and identify them by comparing them with the drawings on the next page.

Step 2. Bolt the seat and back assemblies together with the 5 1/2" bolts using small washers on each end of the bolts. (put one small washer on the bolt before sliding it through the back and seat then use the other small washer on the end, then add the 1/4" nut.)

Step 3. Fasten the arm and leg assemblies to the seat with the 3" bolts. Put a large washer on each end of the bolts. Put one large washer on the bolt. Then slide it through the leg from the outside and then through the seat. Add the other large washer then the 1/4" nut and hand tighten. Fasten the arms to the back with the two 3" carriage (smooth head) bolts. Use a small washer under the 1/4" nut only.

Step 4. Attach one stabilizer board to the front legs, and up against the bottom of the seat, with four short screws, turning it so the notches fit over the legs. Do the same with the other stabilizer board to the back of the back legs in the same manner.

Step 5. For the Royal Highback and American Sweetheart chairs only. Lay the chair on its back and attach the appropriate 5" wide boards to the back, and on the Highback, also to the front of the seat. Use the 1 5/8" screws provided. Keep the same space between the board and the next slat.

Step 6. Go back over your Garden Chair and tighten all the nuts with a 7/16" wrench or pliers.

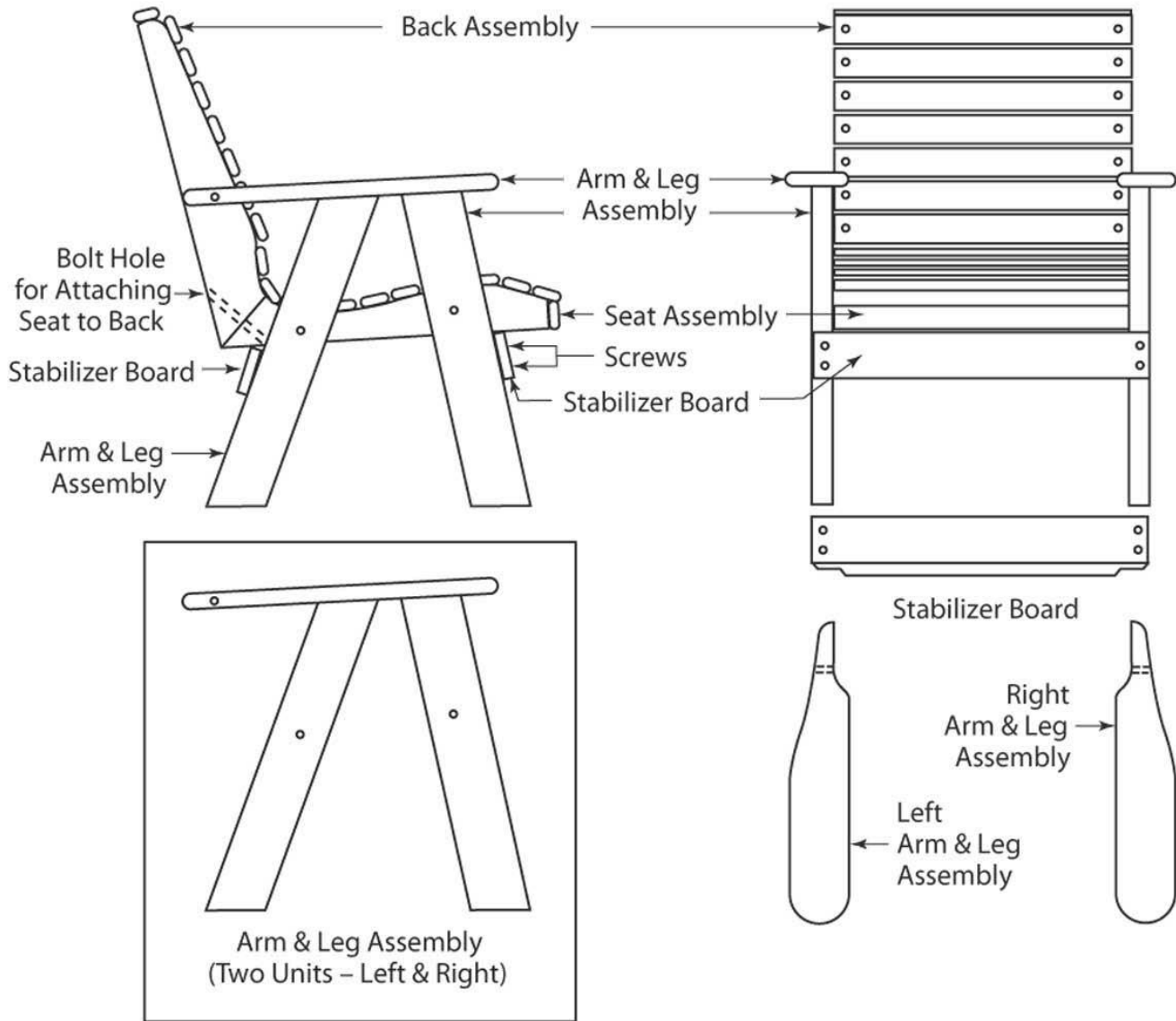
\*It may periodically be necessary to tighten screws and 1/4" nuts.

# Cedar Garden Chair Assembly Instructions

Note: Diagrams below show the American Classic Chair (WF3130)

The item can be found on  
[www.CedarwoodFurniture.com](http://www.CedarwoodFurniture.com)

Call 877-595-8537 to order



# Twin Ponds End Table Assembly Instructions

Models: WF1112CVD, WF4102CVD, WRF5100CHSETCVD, WRF1130COLCVD, WRF1130SETCVD  
WRF1126CHGRPCVD, WRF5SEGSETCVD, WRF5200SETCVD, WRF3230SETCVD  
WRF1110SETCVD

Tools needed for assembly:

Drill.

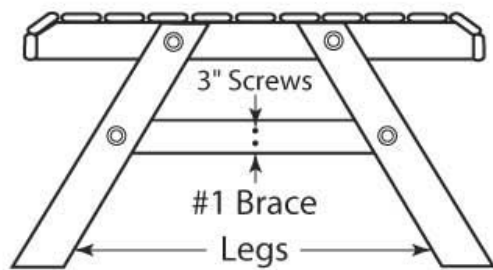
Pliers and 1/4" socket set.

Hammer

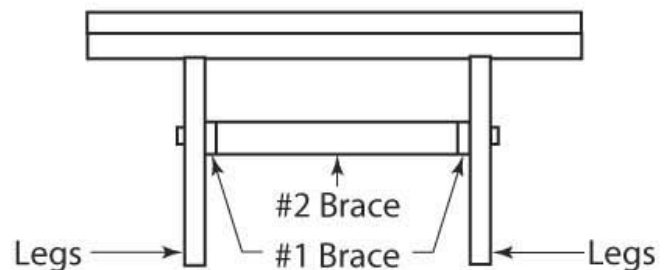
The item can be found on  
[www.CedarwoodFurniture.com](http://www.CedarwoodFurniture.com)

Call 877-595-8537 to order

- Step 1 Bolt the 4 legs to the top with (4) 3" bolts.  
Use a washer under the head, and the nut both. Finger tighten for now.
- Step 2 Bolt the (2) #1 braces to the inside of the legs with the rest of the bolts, nuts & washers.  
Tighten all 8 bolts firmly.
- Step 3 Hold the #2 brace in place between the (2) #1 braces and tap the (4) screws through the holes provided, with a hammer, then turn them the rest of the way in with a Phillips screwdriver.



Side View



Front View

**Note:** Due to product variations, the parts list may be different than what you actually receive with your product.

## Parts List For End Table

- 1 – Table Top
- 4 – Legs
- 2 – #1 Braces
- 1 – #2 Brace

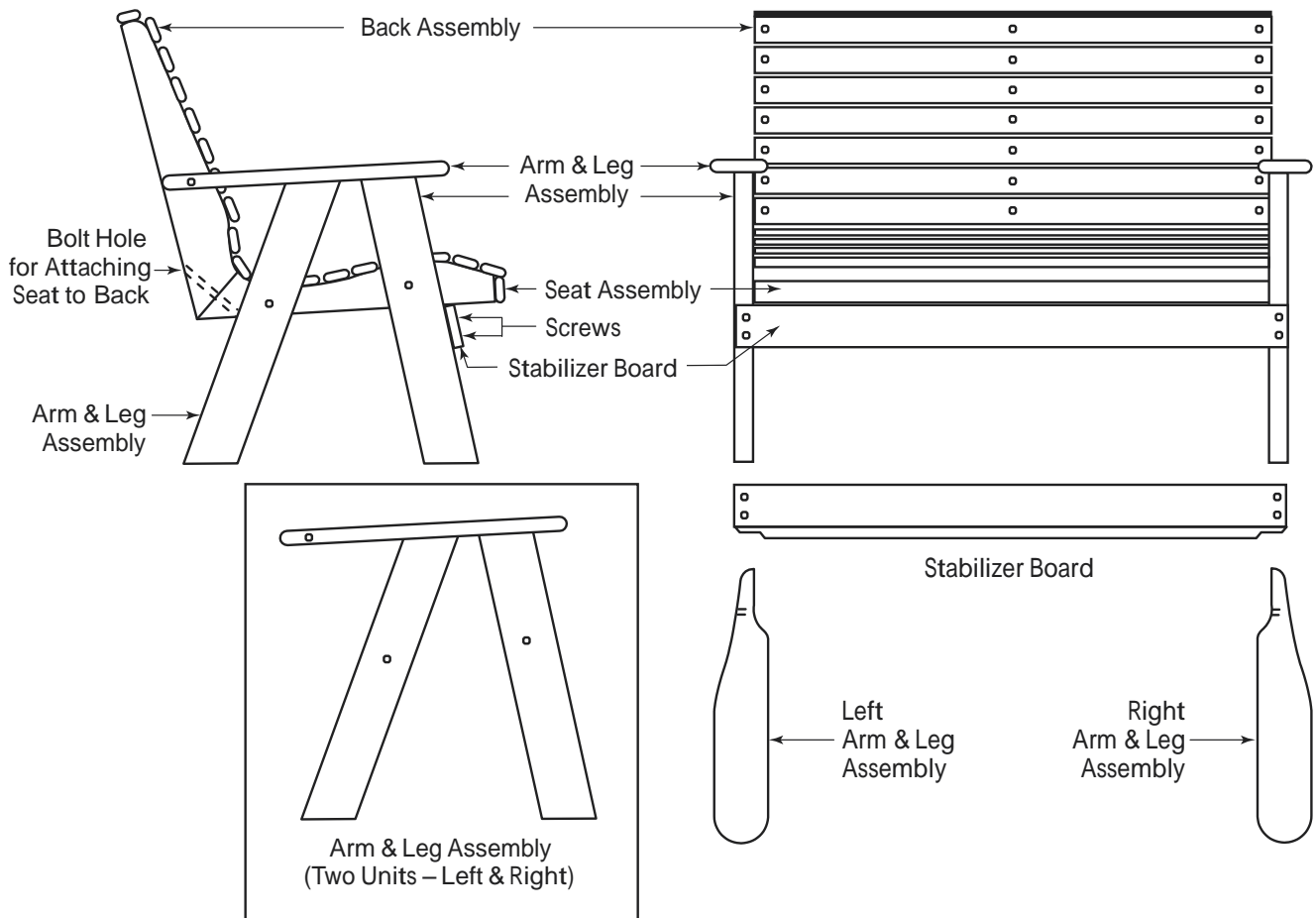
## Hardware

- 8 – 3" Bolts
- 16 – Washers
- 8 – 1/4" Nuts
- 4 – 3" Screws

# Country Hearts Garden Bench Assembly Instructions

Tools needed for assembly:  
Drill.  
Pliers and 1/4" socket set.  
Hammer for tapping bolts and screws.

- Step 1 Lay out all the parts and identify them by comparing them with the drawings.
- Step 2 Bolt the seat and back assemblies together with the 5-1/2" bolts. Using small washers on each end of the bolts. Put (1) small washer on bolt before sliding through back and seat .... then use other small washer on the end, then add the 1/4" nut.
- Step 3 Fasten the Arm & Leg Assemblies to the seat with the 3" bolts with slotted heads. Put a large washer on each end of the bolts. Put (1) large washer on bolt then slide through leg from outside ... then through seat. Add the other large washer then 1/4" nut and hand tighten. Fasten the arms to the back with the two 3" carriage (smooth head) bolts. Use a small washer under the 1/4" nut only.
- Step 4 Attach the stabilizer board to the front legs, and up against the bottom of the seat, with four short screws, turning it so the notches fit over the legs. Enjoy your Garden Bench.
- Step 5 (For the Sweetheart style only.) Attach the Sweetheart board with the Sweetheart cutouts, to the top of the back, with the 1-5/8" screws provided. Leave the same space between it and the top slat, as there is between the rest of the slats. (The board is left off to avoid damage during shipping.)
- Step 6 Go back over your garden bench or chair and tighten with 1/4" socket, or pliers.
  - It may periodically be necessary to tighten screws and 1/4" nuts.



## Part List for Garden Bench

1 – Back Assembly  
1 – Seat Assembly  
2 – Arm & Leg Assemblies  
1 – Stabilizer Board

2 - Small Washers  
2 – 3" Carriage Bolts  
4 – Hex head Bolts  
8 – Large Washers  
4 – Small Screws

7(4ft.), to 8(5 & 6ft.) – Small Washers  
3(4ft.), or 4(5 & 6ft.) – 5 1/2" Bolts  
13(4ft.) to 14(5 & 6ft.) – 1/4" Nuts