

Assembly Instructions for the Round Trestle Table

The item can be found on www.CedarwoodFurniture.com

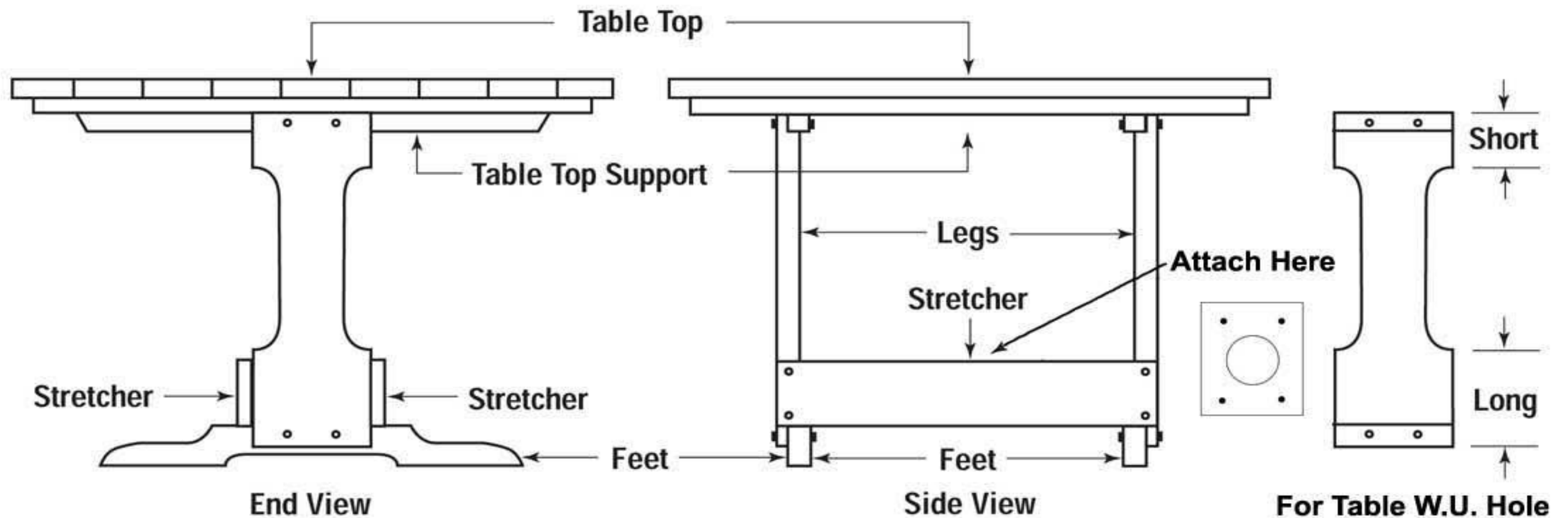
Call 877-595-8537 to order

Tools needed for assembly:

Square head screwdriver or drill.
Pliers or 1/4" socket set.
Hammer for tapping bolts and screws.
Drill and 1/8" or 5/32" drill bit.

Items: WRFBBSETCVD, WRFCHBSETCVD

- Step 1** Lay out and identify all the parts and pieces. Note: The legs, feet, and stretchers for the benches are very similar to the table parts, only smaller and there are 4 X as many.
- Step 2** Lay the table top upside down on a clean flat surface and attach the legs to the table top supports. Keep the legs on the out side of the table top supports and the notch in the legs is turned inward (shown in the picture). Make sure that the short end of the leg is fastened to the top support. Fasten with 4 – 2-1/2" Hex Head Bolts. Place a washer under the head and the nut. Tighten.
- Step 3** Stand the Table upright. Place the wide stretchers with the notches over the legs, down tight against the feet. Pre-drill holes with 1/8" or 5/32" drill bit. Make sure that the legs are pulled in tightly against the notches in the stretchers, then fasten with the Hex Lag Screws through the pre-drilled holes. Use a washer under the head of the Lag screws. Be careful not to over tighten the screws. (over tightening the lag screws will cause the holes in the legs to become larger, and then they can't be tightened at all)
- Step 4** Assemble the 4 benches in the same manner only using the smaller legs, feet, and stretchers. Always make sure that the feet are on the long end of the legs so that there is room for the stretchers along the flat part of the legs above the feet.
- Step 5** After your table and benches are assembled please go back and make sure all the screws are tight.



Parts for the Round Trestle Table

- 1 – Table top
- 2 – Legs (large)
- 2 – Feet (large)
- 2 – Stretchers (wide)

Parts for the Benches

- 4 – Bench tops
- 8 – Legs (small)
- 8 – Feet (small)
- 8 – Stretchers (narrow)

Hardware

- 40 – 1/4" x 2 1/2" Hex Head Bolts
- 40 – 1/4" x 2 1/2" Hex lag Screws
- 40 – 1/4" Nuts
- 120 – 1/4" x 1" Washers

Country Hearts Chair, Bench, and Glider Assembly Instructions

Items: WF4102CVD, WRF1126CHGRPCVD, WRFCHBSETCVD,

- Step 1** Take the back and seat assembly, attach with the 5" Carriage Bolt, insert into back part first then through angle in seat, put a washer and nut on the end and tighten.
- Step 2** Take arm and leg assembly, insert a 3½" Carriage Bolt into hole in arm and attach to back (making sure you have correct arm, there is a left and right). Next insert bolts in the legs and line up to holes in seat (you may have to push bolt in all the way then pull leg away from seat and push bolt sideways or up and down to get bolt started) put washers and nuts on ends and tighten.
- Step 3** FOR GLIDERS ONLY. Assemble frame underneath seat, take the 2 x 4's and attach to the blocks on the inside of the glider feet, using the 2½" self-drilling screws provided. Next set the seat over the frame then put the 2½" bolts through the hanger, and on through the holes in the legs. Next put Washers and Nuts on and tighten. Do not over tighten as it restricts the glider movement.

Note: Due to product variations, the parts list may be different than what you actually receive with your product.

Parts List

Hardware

- 1 – Seat Assembly
- 1 – Back Assembly
- 1 – Right Leg Assembly
- 1 – Left Leg Assembly

- 2 – ¼ x 5" Carriage Bolts
- 6 – ¼ x 3½" Carriage Bolts
- 9 – ¼ Washers & Nuts

Gliders Parts List

Glider Hardware

- 2 – 2 x 4 Braces
- 2 – Foot Assemblies
- 1 – Right Leg Assembly
- 1 – Left Leg Assembly

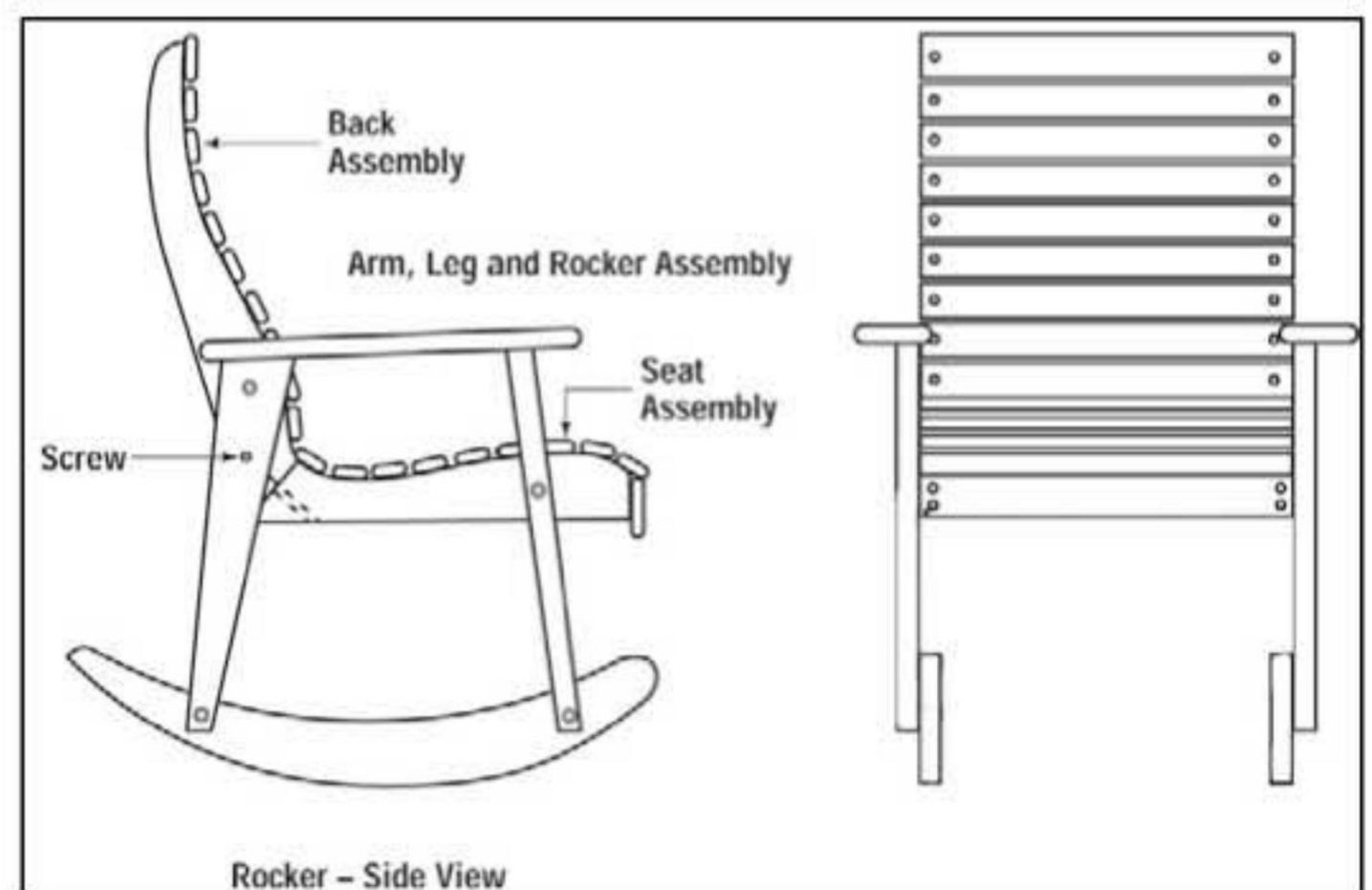
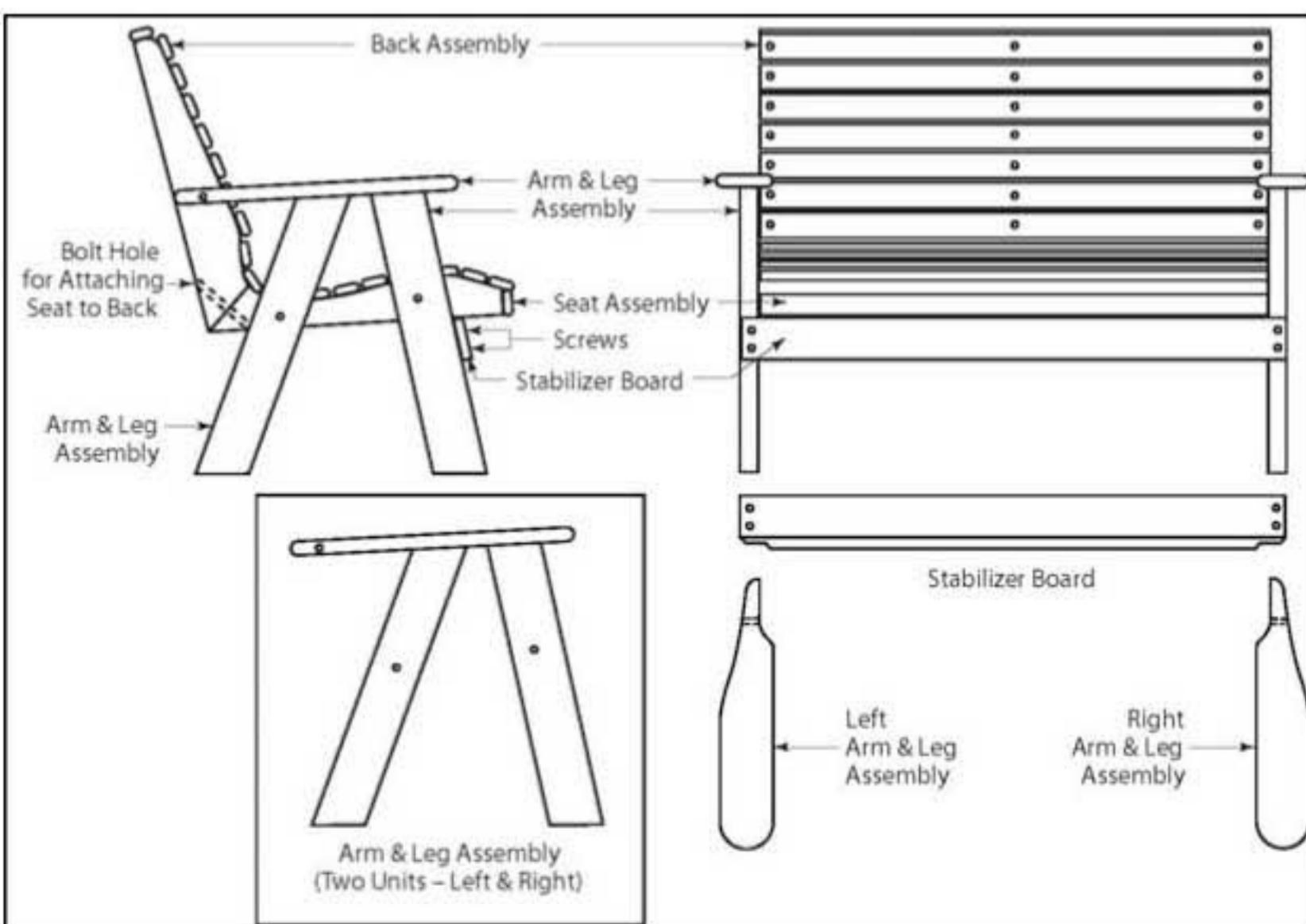
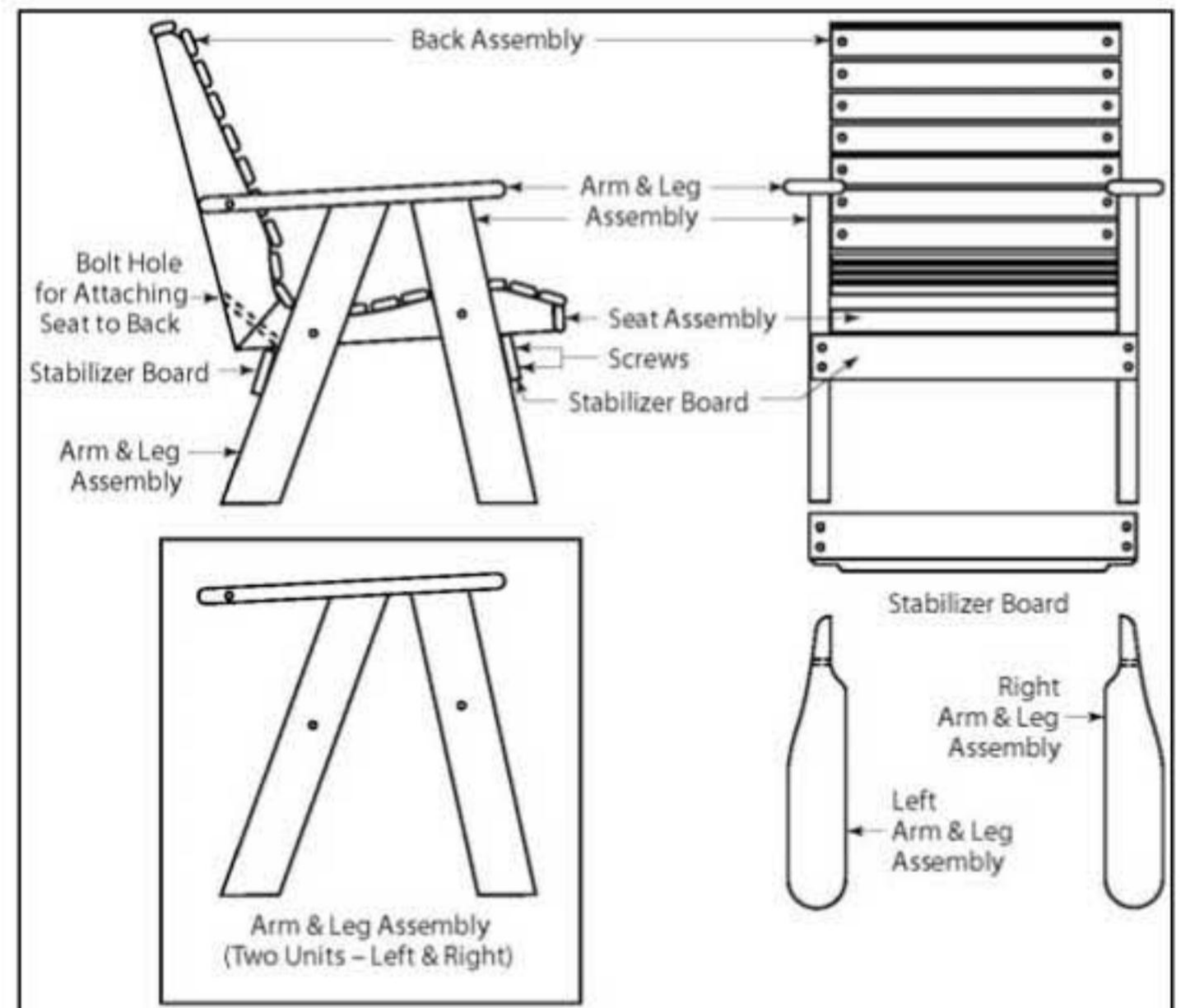
- 4 – 5/16 x 2½" Hex Bolts, Washers & Nuts
- 6 – ¼ x 3½" Carriage Bolts
- 9 – #8 x 2½" Screws
- 1 – Square Drive Bit
- Washers & Nuts

Tools Needed

Glider

- 7/16 Wrench or Socket
- Hammer to tap Bolts

- 2 – ½" Wrenches or Sockets
- Drill to turn Screws



Glider Frame Assembly

