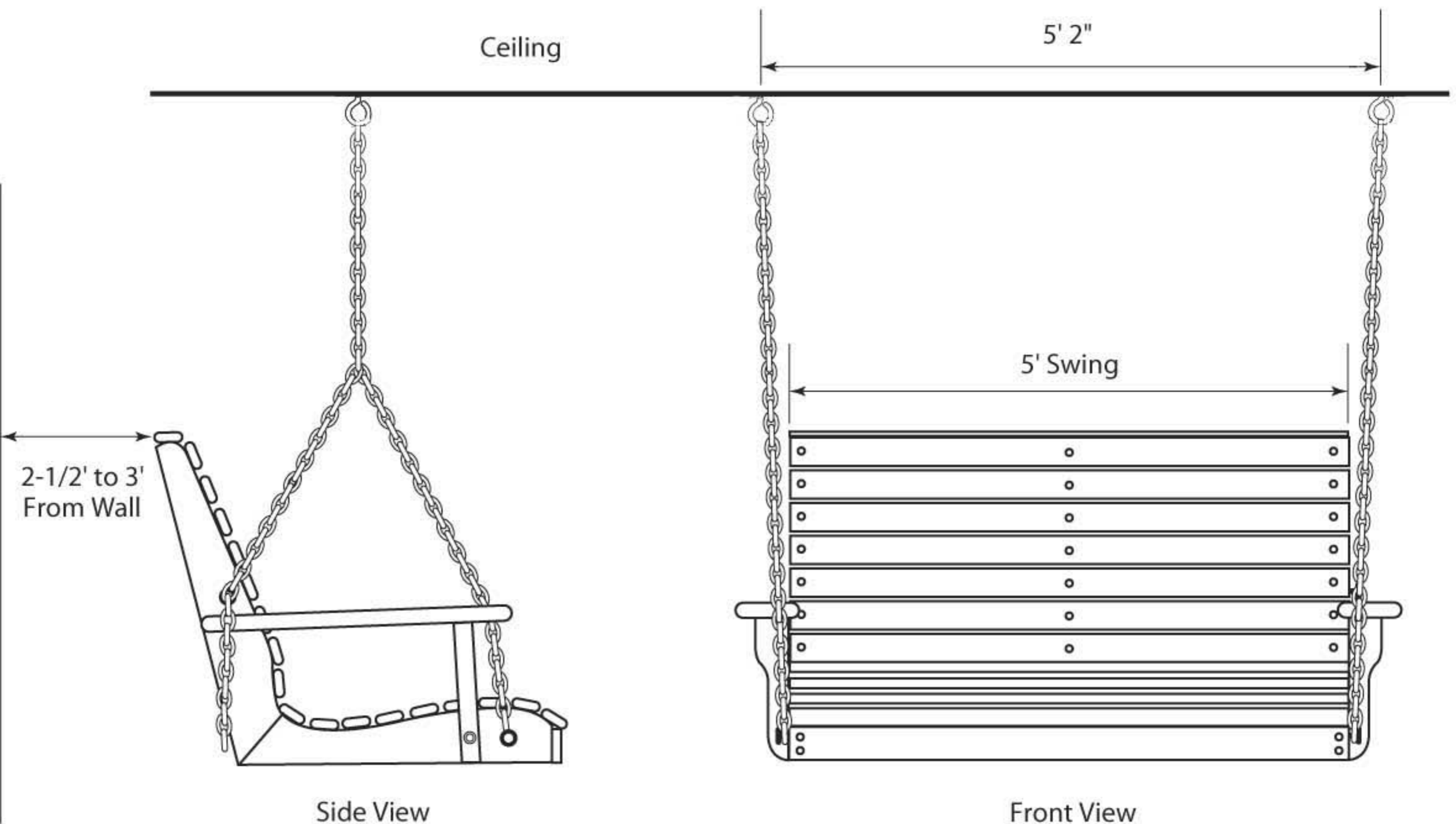


How should I hang my outdoor porch swing?

If you intend to hang your porch swing from the ceiling, make sure the joists will support the weight of both your swing and its occupants. It's a good idea to leave at least three or more feet of space behind your porch swing to allow plenty of comfortable swinging. You should also position the swing chains an inch or two outside the swing length; for example, if you're hanging a 5' swing, place the chain hooks about 5'2" to 5'4" apart.

If you would like to hang our porch swing from a tree limb, the most important first step is to make sure that the limb is sturdy enough to support the weight of both your swing and anyone sitting on it. Once you're sure the branch is strong enough, protect it from abrasion by padding the hanging chains with a rubber hose and fastening the chain around the limb with a heavy, rust-resistant bolt. Never use hooks to attach the chain directly to the branch.



The item can be found on
www.CedarwoodFurniture.com

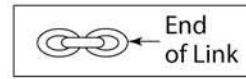
Call 877-595-8537 to order

Assembly Instructions for the Cedar Porch Swing

Tools needed for assembly:

Drill.
 Hammer Socket Set
 Ratchet.

(Example)

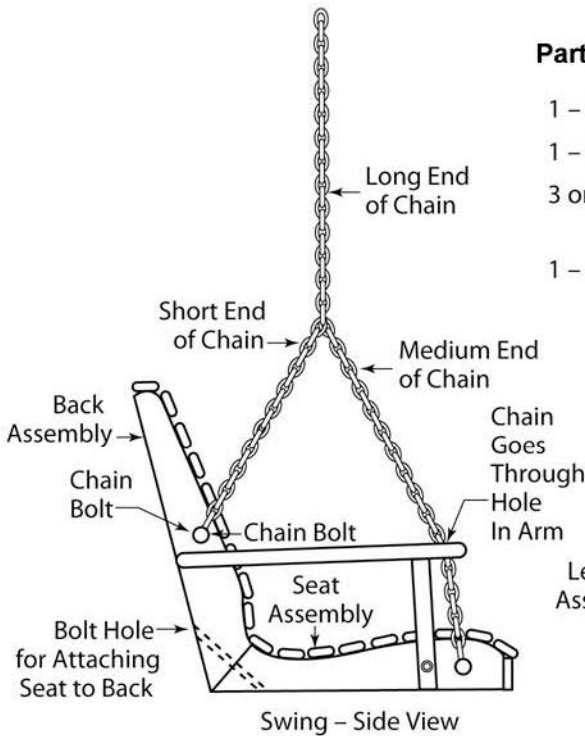


The item can be found on
www.CedarwoodFurniture.com

Call 877-595-8537 to order

- Step 1 Lay out all the parts and identify them by comparing them with the drawings.
- Step 2 Bolt the seat and back assemblies together with the 5-1/2" long bolts. (Hand tighten.)
 Using (2) small washer on both ends.
- Step 3 Fasten the arm assemblies to the seat and back assemblies as shown, with four 3 1/2" carriage bolts, with a washer under the nuts only. (hand tighten)
- Step 4 There are three lengths to the swing chain. The short end of the chain attaches to the back of the swing. Tighten the 1/2" locknut (do not tighten the nut so tight that it restricts movement of the chains) The medium length chain goes through the arm hole and attached to the bolt. Tighten the 1/2" locknut (do not tighten the nut so tight that it restricts movement of the chains) The longest length of chain will be used to hang your swing. Most people are comfortable with the backchain on the end link, but if you want more or less of an angle, adjust to suit yourself.
- Step 5 *(For the Sweetheart style only.)* Attach the Sweetheart board with the Sweetheart cutouts, to the top of the back, with the 1-5/8" screws provided. Leave the same space between it and the top slat, as there is between the rest of the slats. (this board is left off to avoid damage during shipping.)
- When setting links for swings be sure to put on end of link, not the middle of link.

SLAT BACK SWING SHOWN BELOW



Parts List for Swing

- 1 – Seat Assembly
- 1 – Back Assembly
- 3 or 4 – 5-1/2" Bolts Depending on Length of Swing
- 1 – Left and 1 – Right Arm Assembly

- 4 – 3 1/2" Carriage Bolts
- 2 – Chains
- 7 or 8 – 1/4" Nuts
- 10 or 12 – 1/4" Washers
- 1 – Set Swing Chains
- 4 – 1/2" Locknuts for Chains

