

TOOL HOLDER- #3020 & #3020A

Quality Western Red Cedar with Handcrafted Construction

Assembly Instructions: All holes are pre-drilled and screws are included. Check all packing material carefully before discarding as shortages of parts may occur from parts left in packaging. Read instructions carefully before beginning to assemble your TOOL HOLDER.

Tools Required for Assembly: #2 Phillips screw driver or an electric screw driver with a #2 Phillips head bit.

Tool Holder Parts List: 2 Divider Boxes and 4 Legs.

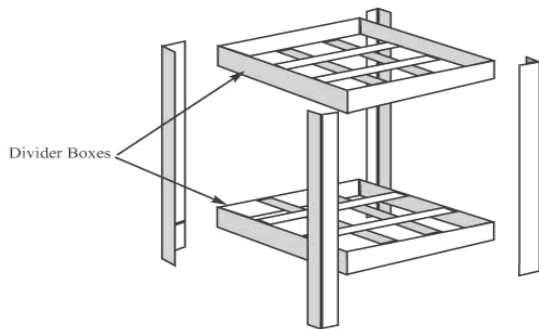
Hardware Package: 32 – 1 ¼ “ screws (and 4 casters if 3020A).



Before Assembling:

1. Position the Legs so the line marked on the inside of each Leg is at the bottom of your Tool Holder.
2. Position the Divider Boxes so their grid patterns match.

Note: The Deluxe Tool Holder (with casters) has different Divider Boxes. The top Divider Box looks like the illustration below. The bottom Divider Box has wood under the Divider bars. The Divider bars of the bottom Divider Box must face the top Divider Box.



Assembly:

1. Attach the Legs to the upper Divider Box so the top edge of upper Divider Box is flush with the top of the Legs. Attach using 16 screws in the pre-drilled holes on inside of Divider Box.
2. Attach the Legs to the bottom Divider Box so the bottom edge of the lower Divider Box is on the pre-drawn lines on the inside of the Legs using 16 screws in the pre-drilled holes on the Legs.
3. For the Deluxe Tool Holder only....Turn the unit upside down. Attach 4 casters to the pre-drilled holes on the bottom Divider Box.

Note: Western Red Cedar contains natural preservatives, so it resists rot, and weathers well. These qualities make cedar ideal for outdoor use. A quality sealer on all areas will delay the graying of the wood and give additional protection. Cedar will weather to a silvery gray if left in its natural state.