

Adams Dog Houses

Assembly Instructions

The item can be found on
www.CedarwoodFurniture.com

Call 877-595-8537 to order

Product Numbers
DH1717, DH3033 & DH3535



Features...

Quality Western Red Cedar
Handcrafted Construction

Assembly Instructions:

All holes are pre-drilled and screws are included. Check all packing materials carefully before discarding. Shortages of parts may occur from parts left in packaging. Read instructions carefully before beginning to assemble your Dog House.

Tools Required for Assembly:

Phillips head screw driver

Parts List:

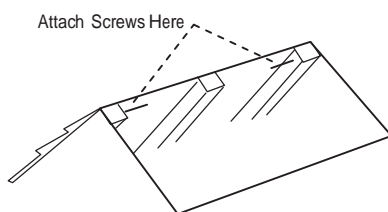
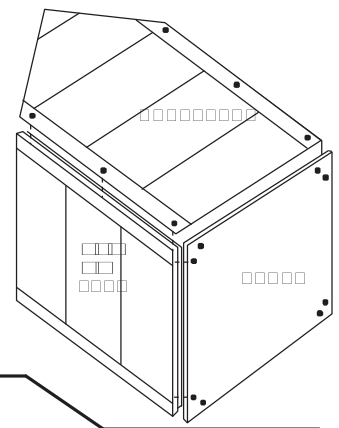
- Front Wall Panel
- 4 Drip Edges
- Back Wall Panel
- Ridge Cap
- 2 Side Wall Panels
- Floor
- 2 Roof Pieces
- Hardware Package

Step 1

Note: It is easier to complete the first step with two people.

Place the two Side Wall Panels on a level surface parallel to each other with insides facing each other. Place the Back Wall Panel on top and attach it to the Side Walls. Replace the $1\frac{5}{8}$ " screws (from the vertical trim pieces on the Back Panel) with 3" screws in the pre-drilled holes. Flip the Dog House so that the back is on the ground and attach the Front Wall Panel using 3 long screws (per side) in the pre-drilled holes.

Slide the Floor piece in and attach the Floor using 2 - 3" screws (per side) in the pre-drilled holes.



Step 2

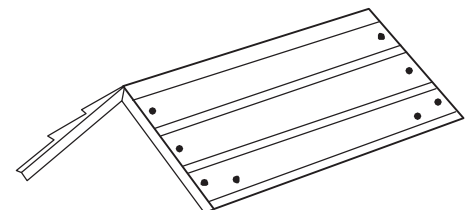
Set the Dog House right-side-up and set one Roof Piece in place on the left side (when facing the front wall). Attach one 3" screw through the pre-drilled hole located on each of the outside rafters.

Set the opposite Roof Piece in place (this piece is not screwed in at this time).

Step 3

Place the Ridge Cap over the seam between the Roof Pieces. Using the $1\frac{5}{8}$ " screws attach the Ridge Cap to the Roof Pieces through the pre-drilled holes. Attach one $1\frac{5}{8}$ " screw through each corner into the pre-drilled hole.

Place the Drip Edges on the edge of each of the Roof Pieces. Attach with the $1\frac{1}{4}$ " screws going from the roof down (one screw per shingle)



Western Red Cedar contains natural preservatives, so it resists rot and weathers extremely well. These qualities make cedar ideal for outdoor use. It is free of pitch and holds stains and paint well too. A quality sealer will delay the graying of the wood and give additional protection. Be sure to seal the bottom areas, especially the end grain. Cedar will weather to a rich silvery gray if left in its natural state.