

RAISED GARDEN CENTER- #7212- #7224- #7236

Quality Western Red Cedar with Handcrafted Construction

Assembly Instructions: All holes are pre-drilled and screws are included. Check all packing material carefully before discarding as shortages of parts may occur from parts left in packaging. Read instructions carefully before beginning to assemble your RAISED GARDEN CENTER.

Tools Required for Assembly: #2 Phillips screwdriver or an electric screwdriver with a #2 Phillips head bit

PARTS LIST:

4 Legs	4 Type A Corner Caps (Tops)
2 Long Panels (Front & Back)	4 Type B Corner Caps (Sides)
2 Short Panels (Sides)	4 Type C Corners Caps (Sides)
10 Liner Slats: 2 - 1"x 4"corners; 8 - 1"x 4"	1 Center Liner Slat (2"x 4")

Black Liner
Bottom Shelf: 15 Slats- 1x4x 18 3/8"
2 Long Rails- 1 x 4 x 70 1/2"
2 Short Side Rails- 1 x 4 x 18 3/4"
4 Packages of Screws: 8 - 3" screws for 2x4
Liner Slat ; 32 - 1 1/4" screws for Bottom Shelf ;
32- 1 1/4" screws & 20- 2" screws for Corner Cap
and attaching walls; 4- 2" screws for attaching
Short Side Rail to Long Rails

ASSEMBLY:

NOTE: This assembly is best executed with two people.

STEP 1: Assemble corner caps as pictured using 6- 1 1/4" screws in the holes shown. Use the holes closest to edge on Part B to attach to Part C. Note: Part B has 4 holes

STEP 2: Set 2 legs down flat approximately the length of the Long Panel apart. Attach the Long panel to the legs with the smooth side facing up using 2- 1 1/4" screws and pre-drilled holes in panel. Repeat this process on the 2nd long panel.
Note: The 1x2 trim is the top of the wall and the bottom is marked
Note: The bottom of the wall sits on top of the leg facing.
Note: The ten inch 2x2 portion of leg without facing is the top part of the leg.

STEP 3: Stand up the 2 long walls. Place the first side panel between the two long walls and secure to the legs through the pre-drilled holes with 2- 1 1/4" screws. Repeat this process on the 2nd short wall.

STEP 4: Place the assembled corner caps over each of the corners making sure the side panels are tight against the legs at all four corners. Secure each corner cap using 5- 2" screws in the pre-drilled holes. Repeat this process on the 3 remaining corner caps.

STEP 5: Lay the liner slats out on the inside of the assembled box. Put the slats with notched corners in the 2 ends. Attach the 2x4 slat with 4- 3" screws to the bottom of the long walls in the center. The holes are pre-drilled. Space the remaining 1x4's evenly on each side. There should be 8 of these slats.

STEP 6: Lay the liner over the liner slats with the cloth side up. Snap into position in between the vertical panel support boards and the slats.

STEP 7: For the bottom shelf, attach the 2 Long Horizontal Rails to the notched legs with 4- 3" screws. Attach the 2 Short Horizontal Side Rails to the Long Horizontal Rails using 4- 2" screws. Place the 8 shelf slats evenly to the inside and top of the horizontal pieces with 16- 1 1/4" screws

Note: Western Red Cedar contains natural preservatives, so it resists rot, and weathers well. These qualities make cedar ideal for outdoor use. A quality sealer or stain on all areas will delay the graying of the wood and give additional protection. Cedar will weather to a silvery gray if left in its natural state. We would recommend a location for your garden planter that will receive full sun light. Ordinary soil is too heavy for container gardening and we would recommend a light pre-mixed soil.

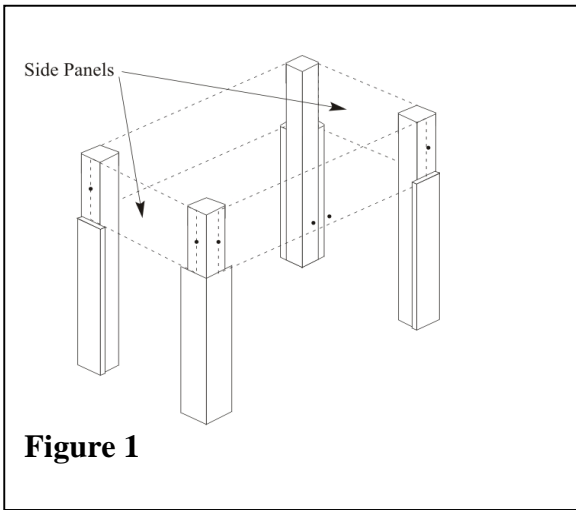


Figure 1

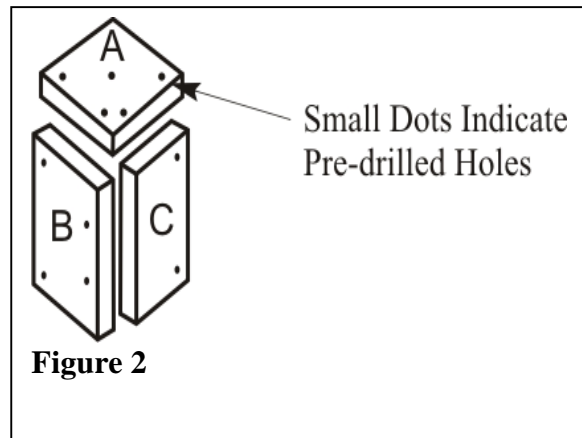


Figure 2

Figure 4

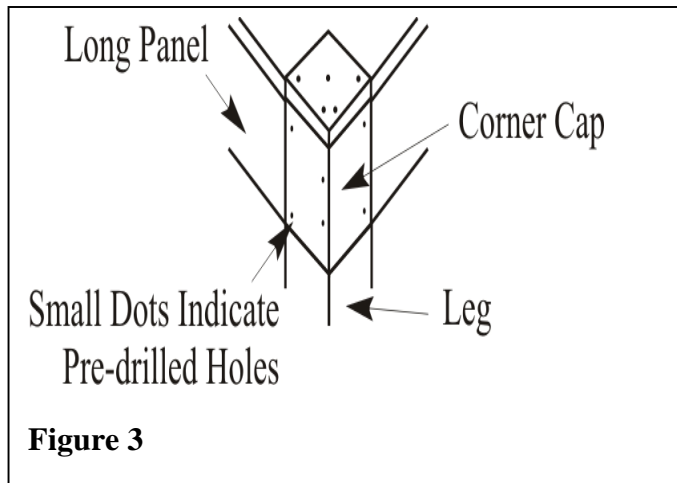


Figure 3

